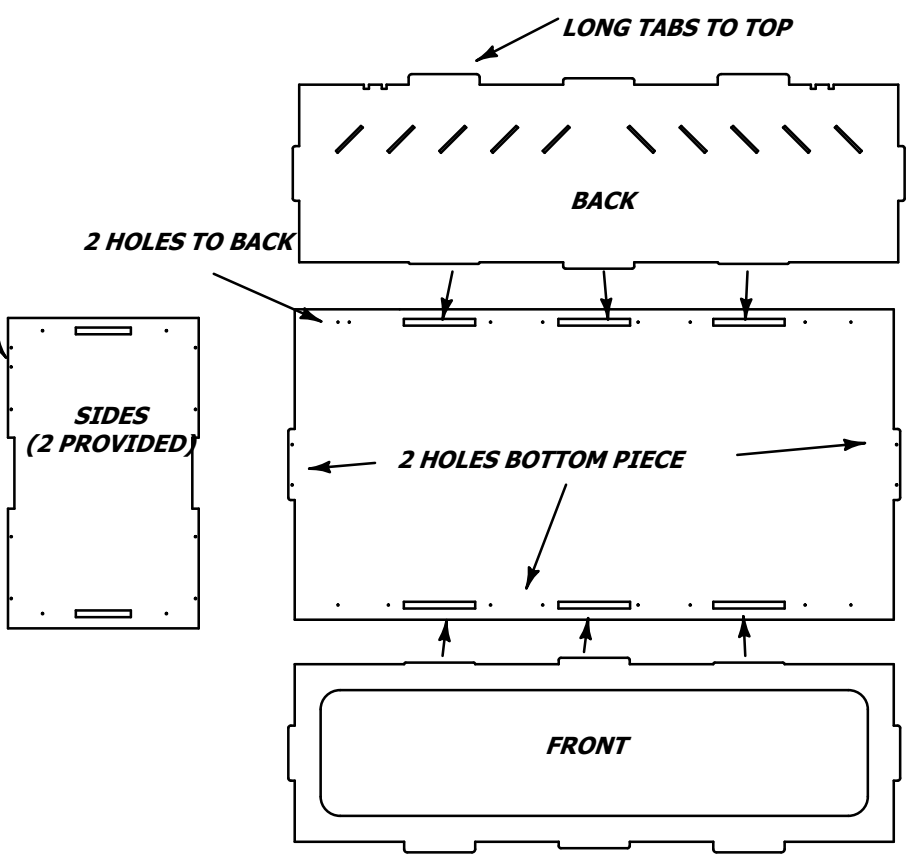


2 HOLES TO TOP BACK



**PVC CAGES ASSEMBLY**

**ASSEMBLE TOP BOTTOM BACK AND FRONT AND SCREW TOGETHER THEN ATTACH SIDES AND SCREW THEN GLUE ON TRACKS FOR DOORS WITH PVC GLUE (LOWES) RED CAN THE DEEP TRACK GOES ON THE TOP THEN USE PVC GLUE TO SEAL INSIDE 4 EDGES OF CAGE FLOOR.**

